

**EXT-IP1080-POE-T**

**HDMI over LAN Transmitter**

**EXT-IP1080-POE-R**

**HDMI over LAN Receiver**



**FEATURES:**

*Support 1080p, HDCP compliant*

*Support 100 meter Ethernet distance*

*Video, Audio, RS232 over LAN with POE*

*Standard HDMI Cable and Ethernet Cable*

The **EXT-IP1080-POE HDMI Extender** is an AV over IP product that distributes multiple HD contents to multiple HD display devices over a 100M/1G Network Switch. It offers configurable high quality, low-bandwidth H.265/H.264 configurable compression video and supports resolution up to 1920x1200@60Hz 4:4:4.

Signal transmission distance can be extended up to 328ft / 100m via CAT5E/6/6A/7 cable.

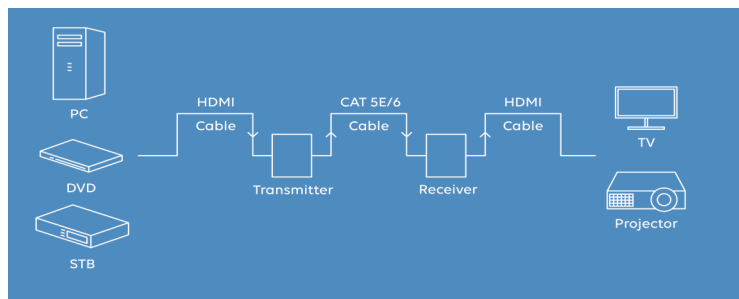
The product supports analog audio embedding and extracting. It also supports RS-232 control and single-machine control.

POE support makes it a very flexible and highly reliable solution.

**Diagram - 1 to 1**

Transmitter to Receiver point-to-point over UTP - 100 meter

With local HDMI output on Transmitter



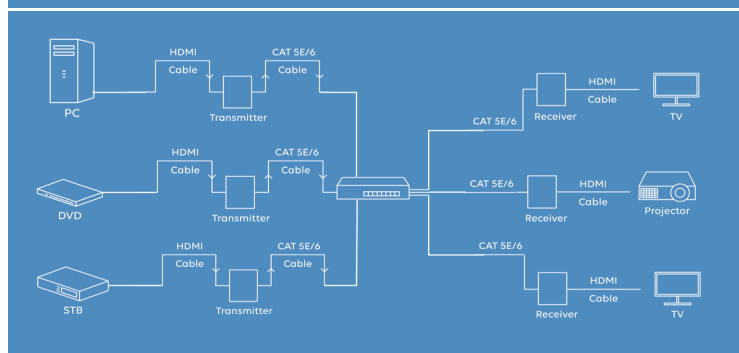
**Diagram - 1 to many or many to many**

Transmitter to Receiver point-to-multi point with router or switch (network protocol)

multi-to-multi through WEB GUI or RS232

Support for VLAN configuration

Support for Video Wall



**SPECIFICATIONS:**

Standards	HDMI 1.3; HDCP 1.4
Maximum pixel clock	165 MHz
Maximum data rate	4.95Gbps
Resolution	Max: 1920x1080p@60Hz 4:4:4
Connector Transmitter	HDMI-A (1 x input), RJ45 (POE), Audio In/Out, RS232
Connector Receiver	HDMI-A (1 x output), RJ45 (POE), Audio Out, RS-232
Ethernet Interface	RJ45
Ethernet Transmission distance	CAT5E/6/6A/7 - 100 meter
Power supply	DC 12V/1A
Power dissipation	Transmitter Max 2.64W / Receiver Max 3.1W
Operating Temperature	-10°C ~ +45°C
Operating Humidity:	20% ~ 90%
Dimension	120 x 95 x 21.5 mm
Warranty	2 year



**GeMNeXT is brand of**

**AVDIS B.V.**  
**Nijverheidsweg 73**  
**3771 ME Barneveld**

**The Netherlands**

**www.gemnnext.com**

**info@gemnnext.com**

**+31- (0)85 2100 614**