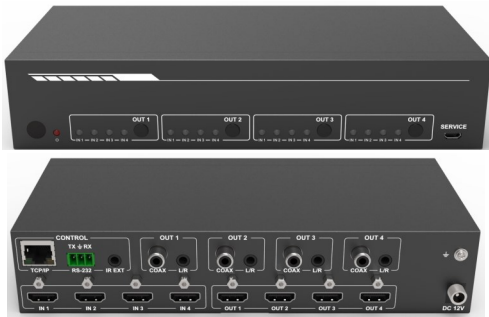


Matrix-4X4-H2

HDMI matrix 4x4



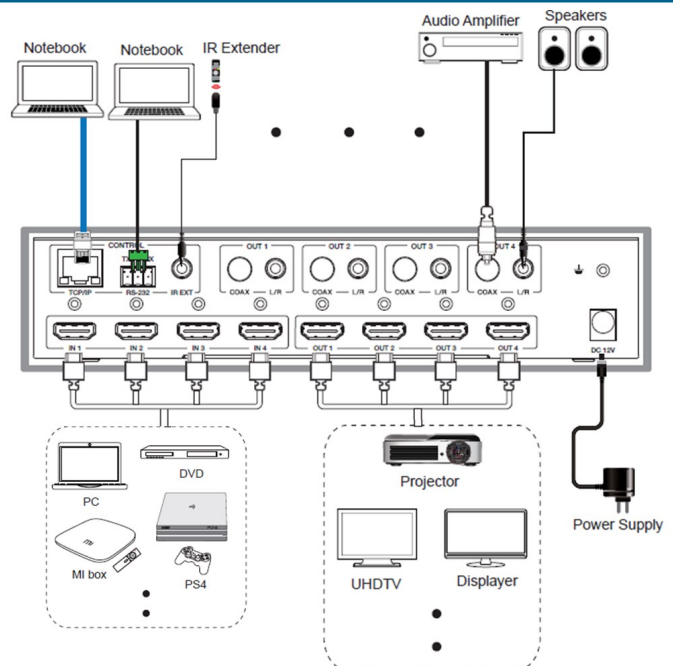
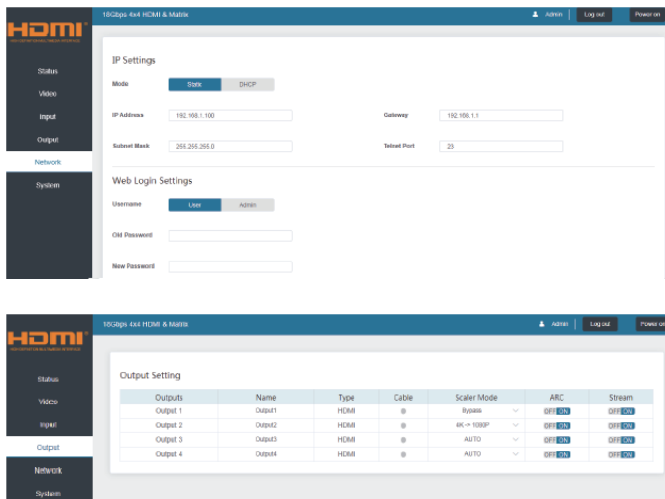
FEATURES:

- Supports up to 3840x2160 input & output
- HDCP 2.2 compliant
- RS232 control & GUI

This high performance HDMI Matrix Switcher can switch any of these four HDMI 2.0 sources to four HDMI 2.0 displays. Each input and output supports up to 4K60 4:4:4 resolution and HDCP 2.2. The outputs can be individually scaled for 1080p. De-embedded audio as analog L/R and coaxial is available for both outputs. The ARC function can return display device audio to coaxial port output only. Advanced EDID management is supported. With its 18Gbps bandwidth and the additional features with latest HDMI standards. This switcher can be controlled from the front panel, RS-232, IR remote, or TCP/IP.

Diagram

4x4 Matrix



SPECIFICATIONS:

Input	4 x HDMI
Output	4 x HDMI
Resolution	4K2K@24/25/30/60Hz
HDMI Standard	2.0
HDCP Version	2.2, 1.4 compliant
RS232	3-pin pluggable connector for RS-232 control of the Switcher
HDMI 2.0	4K@60Hz 4:4:4
HDR Support	HDR10, HDR10+. Dolby Vision, HLG
Coaxial Audio Formats	PCM2.0, Dolby Digital / Plus, DTS 2.0/5.1
L/R Audio Formats	PCM2.0CH
Power Supply	Input: AC100 - 240V 50/60Hz, Output: DC 12V/2.5A
Power Consumption	10 W (Max)
Dimensions	220mm (W)×105mm (D)×44mm (H)
Weight	792 gram

Matrix-4X4-H2



GeMNeXT is brand of

AVDIS B.V.
Ambachtstraat 3A
3732 CN DE BILT

The Netherlands

www.gemnnext.com

info@gemnnext.com

+31- (0)85 2100 614