

MS-HBTB66C70 KIT

6x6 18G HDBaseT Matrix Switcher



HDBaseT

18Gbps

ARC

CEC

Audio Matrix

PoC

Overview

The MS-HBTB66C70 HDBaseT™ Matrix Switcher Kit offers 4K HDCP 2.2 signals at both input and output ports. It can deliver HDMI video, digital/analog audio, IR, PoC and RS232 signals up to length of 70m over a single CAT cable.

The MS-HBTB66C70 also supports an independent built-in audio matrix with 18 audio inputs (including 6 HDMI embedded audio, 6 external audio and 6 ARC audio), and 12 audio outputs (including 6 HDMI embedded audio and 6 direct audio breakouts) making it an 18 x 12 audio matrix switcher. Moreover, it supports volume, mute, delay for lip-sync corrections on all direct audio outputs.

The MS-HBTB66C70 KIT also supports CEC triggering for all connected screens, HDR and multi audio formats making it perfect for the modern home or commercial installation. The MS-HBTB66C70 KIT is supplied with 4 units of HDBaseT Receivers.

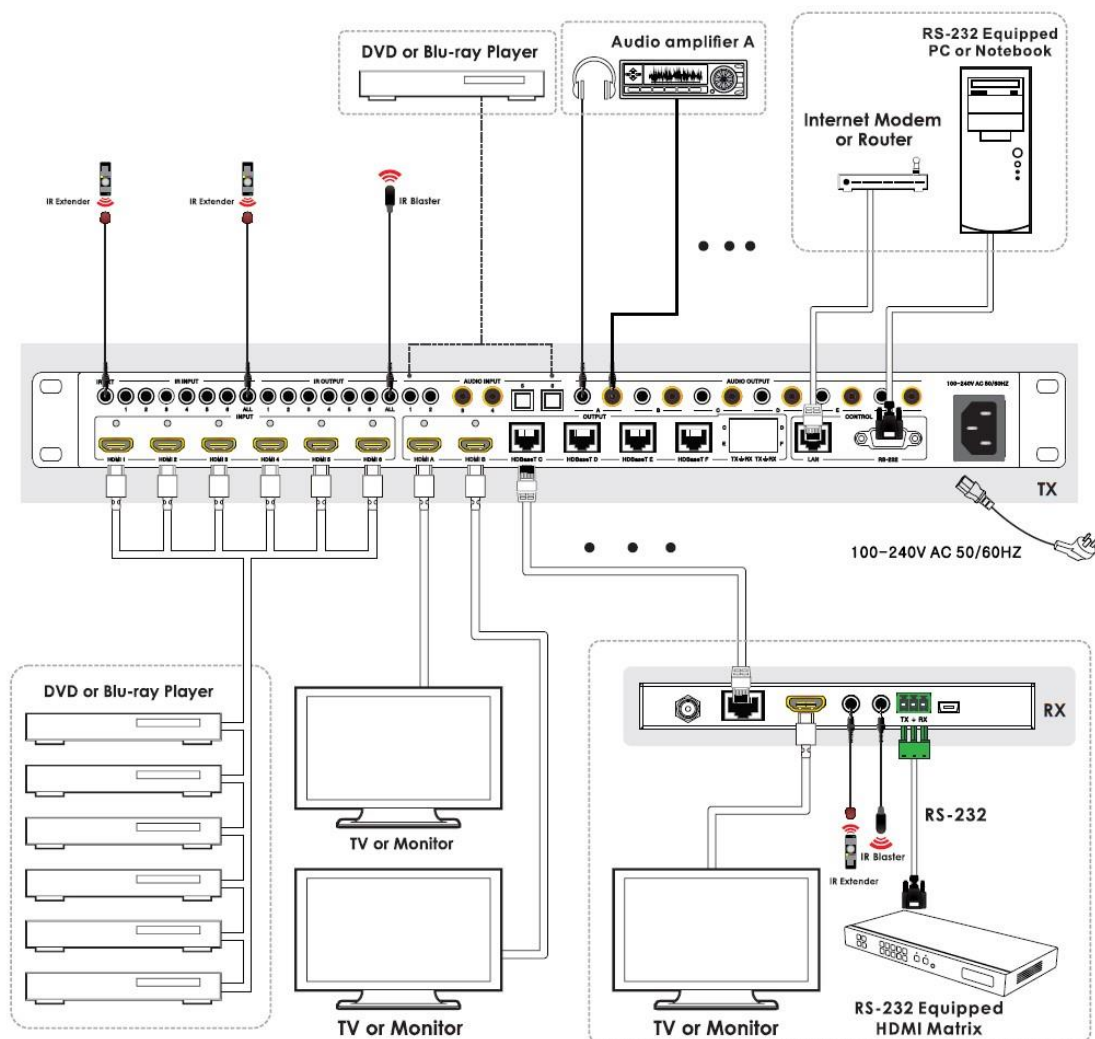
Key Features

- Supports HDMI2.0b
- Supports HDCP2.2 and DVI Compliant
- Supports 6 HDMI inputs
- Supports 4 HDBaseT and 2 HDMI outputs
- Supports PoC on all HDBaseT ports
- Support 4K & HD signals transmission up to 40 and 70 meters via CAT5e/6/7 respectively
- Supports pass-through of HD audio formats: LPCM 2/5.1/7.1CH, Dolby Digital 2/5.1CH, Dolby Digital Plus, Dolby TrueHD, Dolby Atmos, DTS-HD Master Audio and DTS X
- Supports audio matrix with Volume, Mute, and Audio delay adjustment for lip-sync
- Supports HDR10, Dolby Vision, ARC, CEC and smart EDID management
- Support RS232 pass-through onto HDBaseT receivers
- Control is via on-panel Button, IR, RS-232, Telnet and Web GUI
- 1U rack mounted design with aluminium front



Specifications

Video Resolution	Up to 4K2K@50/60Hz(YUV4:4:4)
Colour Space	RGB, YCbCr 4:4:4, YCbCr 4:2:2
Color Depth	10-bit, 12-bit
HDMI Audio Formats (Pass-through)	LPCM 2/5.1/7.1CH, Dolby Digital, DTS 5.1, Dolby Digital+, Dolby TrueHD, DTS-HD Master Audio, Dolby Atmos, DTS:X
Audio Formats (Optical/Coaxial In)	LPCM 2/5.1/7.1CH, Dolby Digital, DTS 5.1, Dolby Digital+
L/R Audio Formats (3.5mm Jack In)	Analog Stereo 2CH
Audio Formats (Analog/Coaxial Out)	LPCM 2CH up to 192KHz sample rate
Input Voltage	AC 100V to 240V, 50/60Hz
Power Consumption	60W (Max)
Warranty	2 years
Operating temperature range	0~40 degrees centigrade
Operating humidity range	20%-90% (no condensation)
Storage temperature range	-20~60 degrees centigrade
Storage humidity range	10%~90%
Control Interface	RS232 or 10/100/1000M Ethernet Port or IR



System Diagram