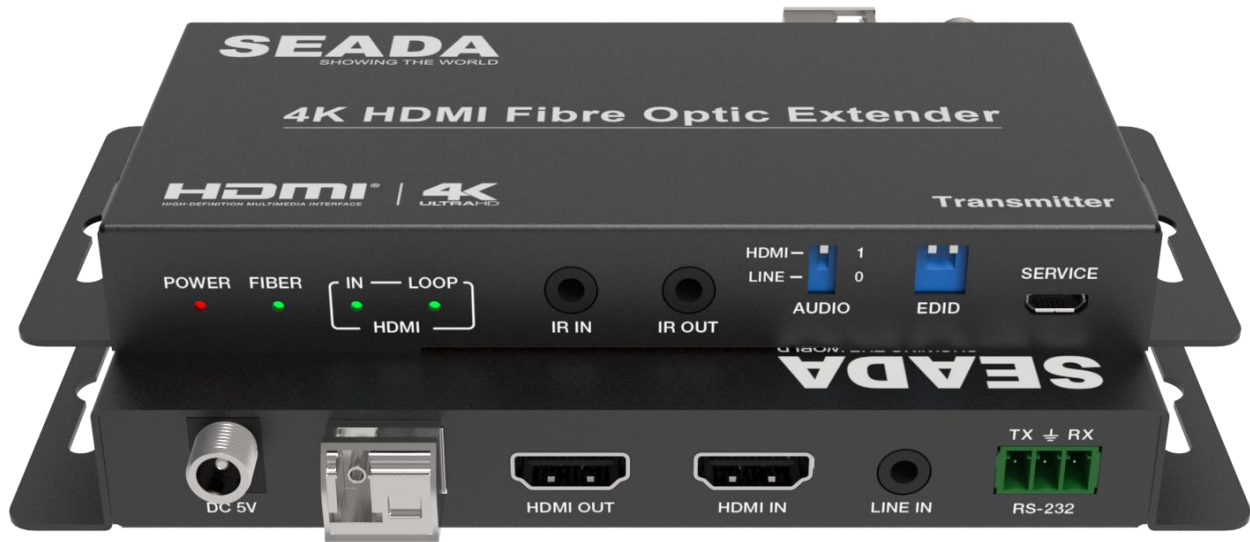


# FO-F02P

## 18Gbps HDMI over Fiber Optic Extender with Audio Extracting



### Overview

FO-F02P HDMI Fiber Optic Extender can extend HDMI signal up to 10 km (over single-mode fiber cable). It supports video resolution up to 4K2K@60Hz 4:4:4.

Its transmitter supports loop output, audio embedding and EDID management function. And its receiver supports audio extracting function.

In addition, the extender supports bidirectional IR control and RS-232 signal pass-through. It can allow users to easily control the display device on the signal source side or control the signal source device on the display side when using this extender.

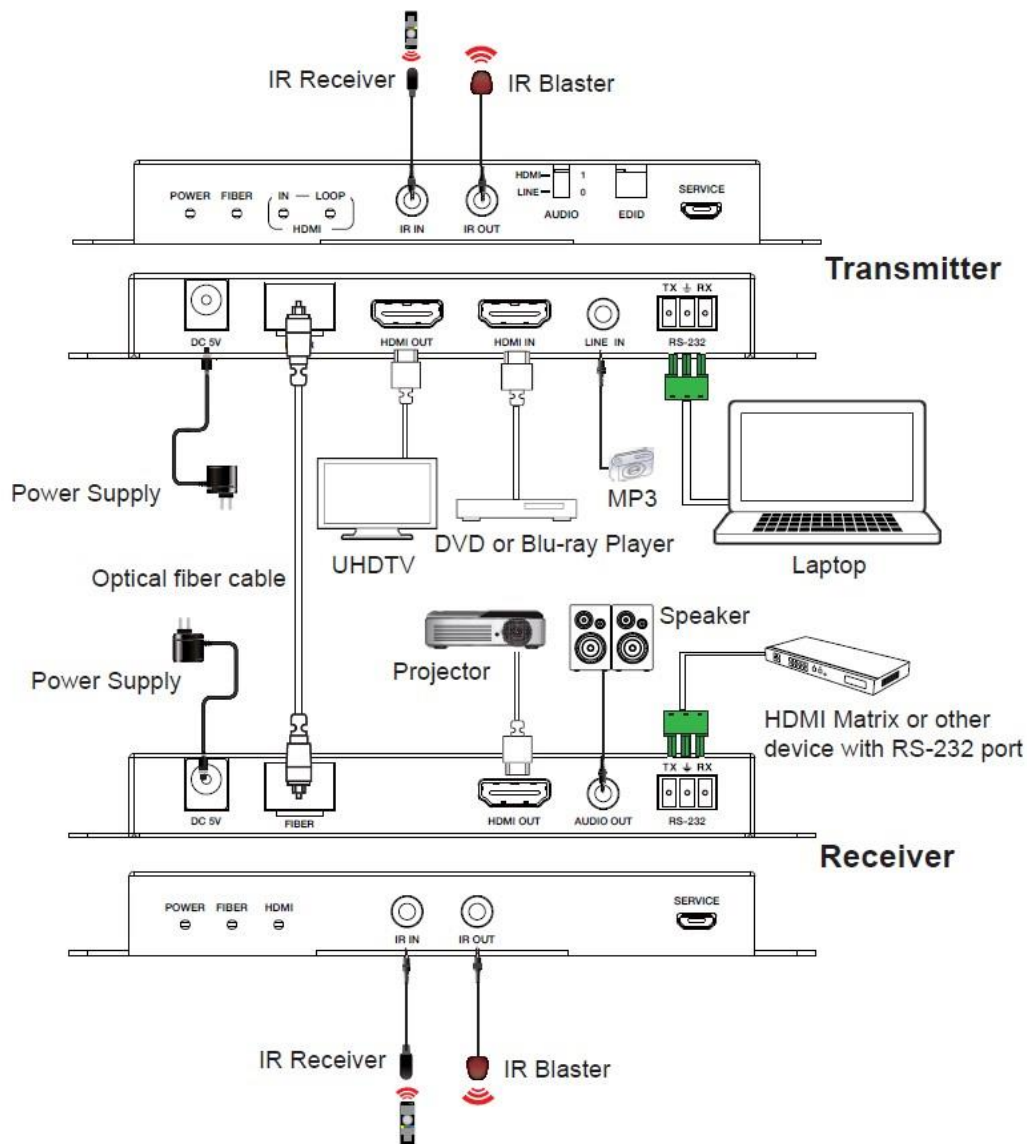


### Key Features

- Support HDMI 2.0b, HDCP 2.2 and DVI1.0 compliant
- Support 18Gbps video bandwidth
- Support video resolution up to 4k2k@50/60Hz 4:4:4
- Support HDMI audio formats: LPCM2/5.1/7.1CH, Dolby Digital/Plus/EX, Dolby True HD, DTS, DTS-EX, DTS-96/24, DTS High Res, DTS-HD Master Audio, DSD
- Support 3D and HDR format video
- Support Transmission distance up to 10 km (over single-mode fiber cable)
- Support bidirectional IR control, RS-232 pass-through and EDID management for simple and convenient control
- Support loop output (sharing local HD video and audio) and audio embedding function on transmitter
- Support audio extracting output function on receiver
- Compact design for easy and flexible installation

## Specifications

HDMI Compliance	HDMI 2.0b
HDCP Compliance	HDCP 2.2
Video Bandwidth	18Gbps
Video Resolution	480i ~1080p50/60Hz, 4Kx2K@24/30Hz, 4k2k@60Hz
Colour Space	RGB, YCbCr 4:4:4 / 4:2:2, YUV 4:2:0
Colour Depth	8/10/12-bit (1080P60Hz)
IR Frequency	20KHz-60KHz
RS-232 Baud Rate	4800-115200bps
ESD Protection	Human body model: $\pm 8\text{kV}$ (Air-gap discharge) & ESD Protection $\pm 4\text{kV}$ (Contact discharge)
Power Supply	Input: AC 100 - 240V 50/60Hz, Output: DC 5V/1A
Operating Temperature	0 - 40°C
Storage Temperature	-20 - 60°C
Relative Humidity	20 - 90% RH (no condensation)



System Diagram